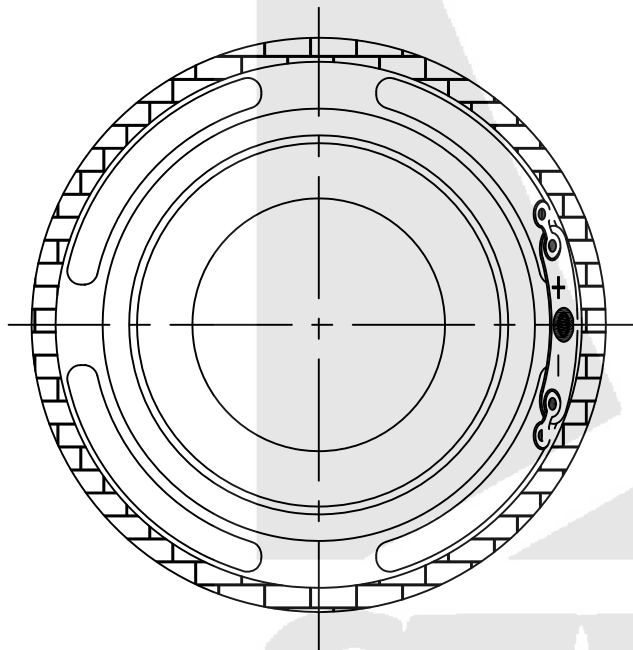
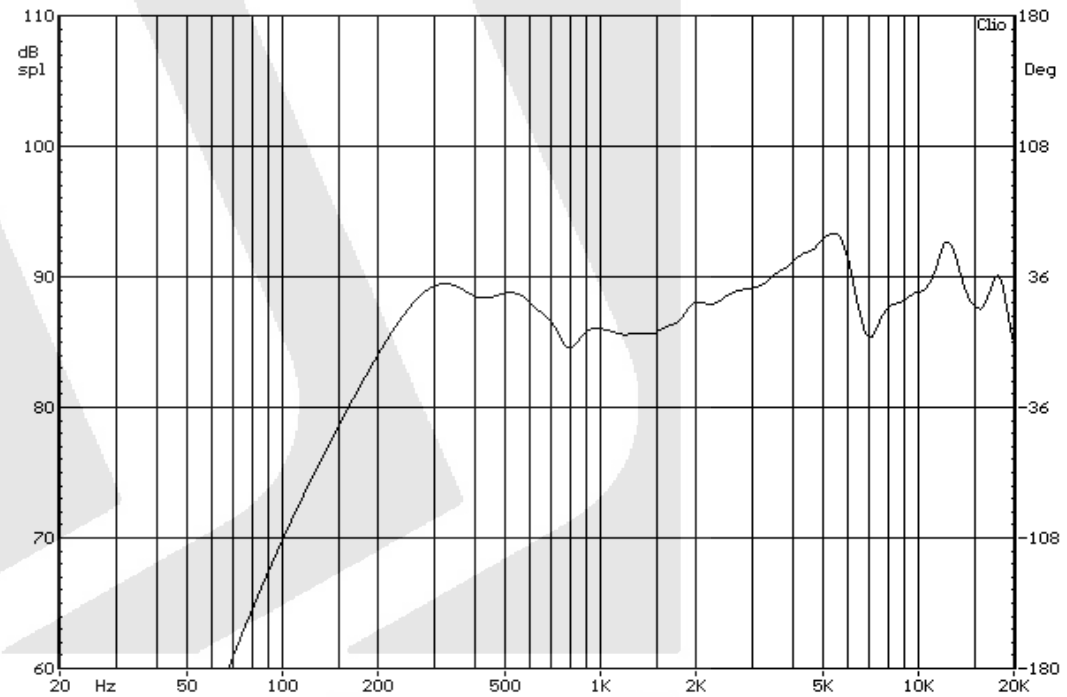


Parameter	Specification
Size	50mm
Impedance	$8\Omega \pm 15\%$
Input Power	0.5W/1.0W
Lowest Resonant Frequency, F_0	$240\text{Hz} \pm 20\%$
SPL	88 ± 3 dB
Effective Frequency Range	F_0 to 6.0 kHz



Typical Frequency Response



*Specifications subject to change

Part No. D0050008NC22JAR

Speaker size: 50mm

Web Site: www.stetron.com

