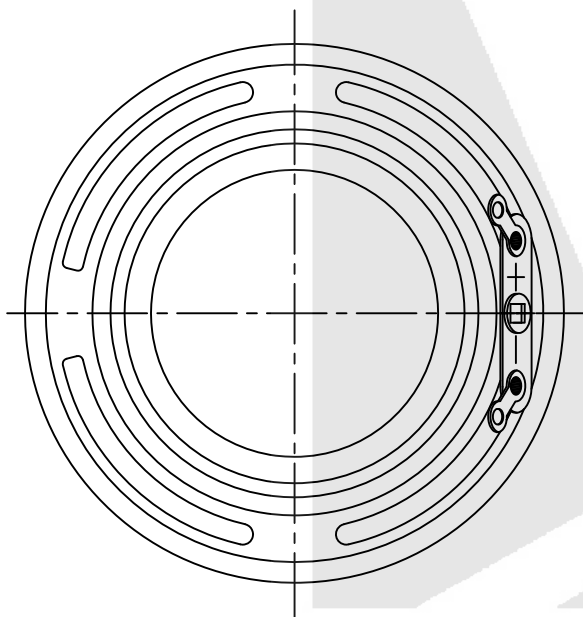
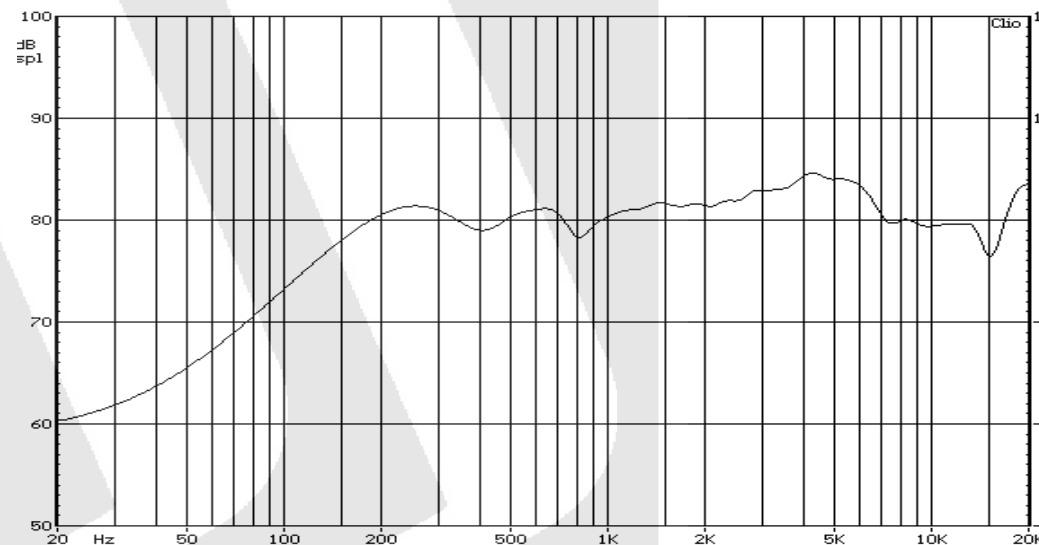


Parameter	Specification
Size	52mm
Impedance	$8\Omega \pm 15\%$
Input Power	3.0W/5.0W
Lowest Resonant Frequency, F_0	$.160\text{Hz} \pm 20\%$
SPL	$81 \pm 3 \text{ dB}$
Effective Frequency Range	F_0 to 15.0 kHz
Total Harmonic Distortion, THD	Max 6% (160 Hz - 200 Hz @ 1W/1m) Max 2.5% (201 Hz - 15 kHz) @ 1W/1m



Typical Frequency Response



*Specifications subject to change

Part No. D0052008NR128AR

Speaker size: 52mm

Web Site: www.stetron.com

