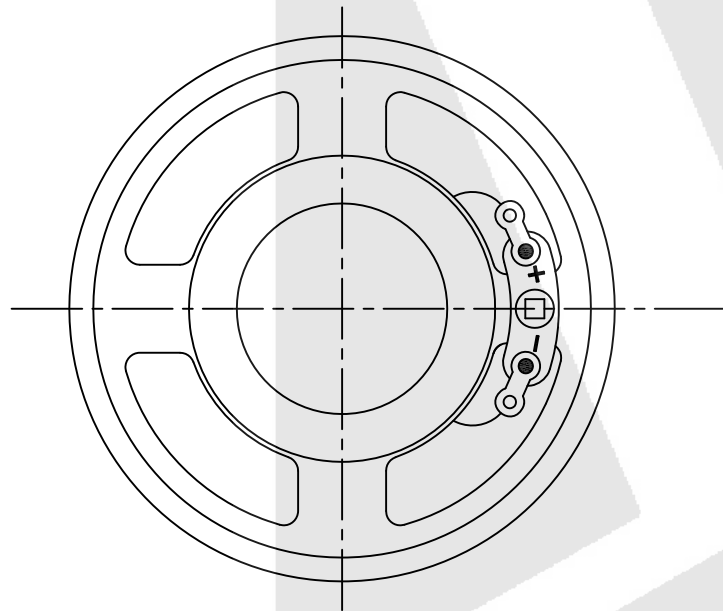
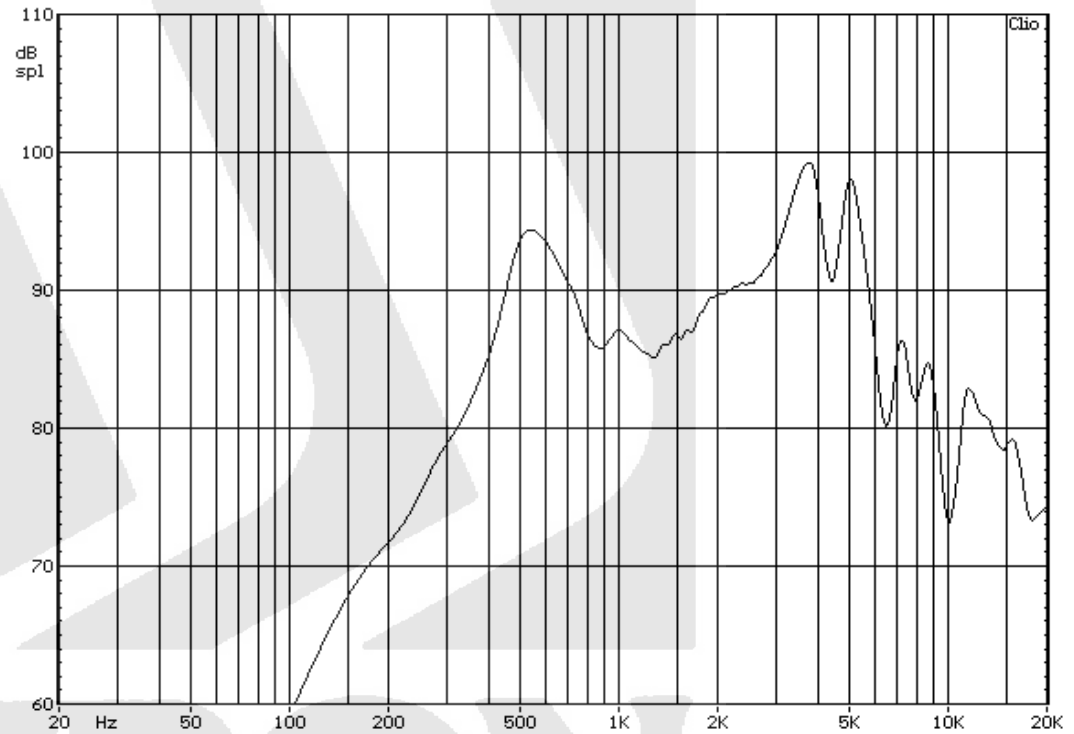


Parameter	Specification
Size	57mm
Impedance	6.0 - 9.2Ω
Input Power	2W/3W
Lowest Resonant Frequency, F ₀	510Hz ± 20%
SPL	>91.2 dB
Effective Frequency Range	F ₀ to 4.0 kHz



Typical Frequency Response



*Specifications subject to change

Part No. D0057008NM127AR

Speaker size: 57mm

Web Site: www.stetron.com

