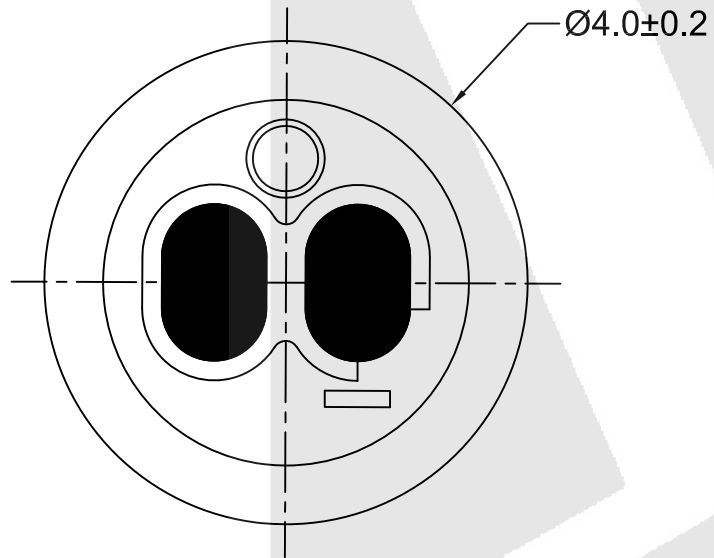
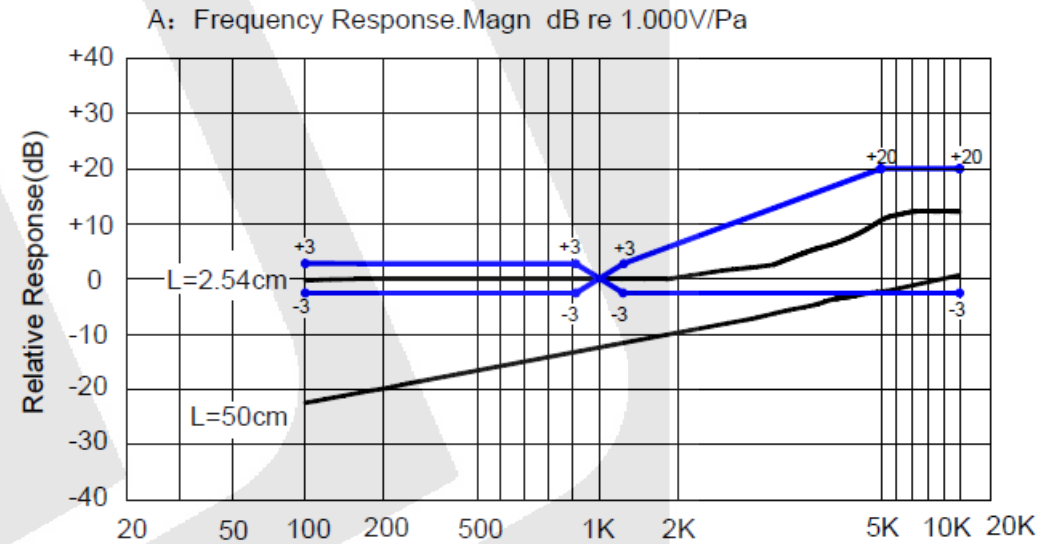


Parameter	Specification
Size	4 x 1.5mm
Impedance	2.2 kΩ
S/N ratio (A Weighted)	Min 50 dB
Sensitivity	-44 dB
Operating voltage	2.0 Vdc
Max Input SPL	100dB (THD ≤ 2%)



Typical Frequency Response



*Specifications subject to change

Part No. EB040222050W0MGR

Microphone size: 4mm

Web Site: www.stetron.com

